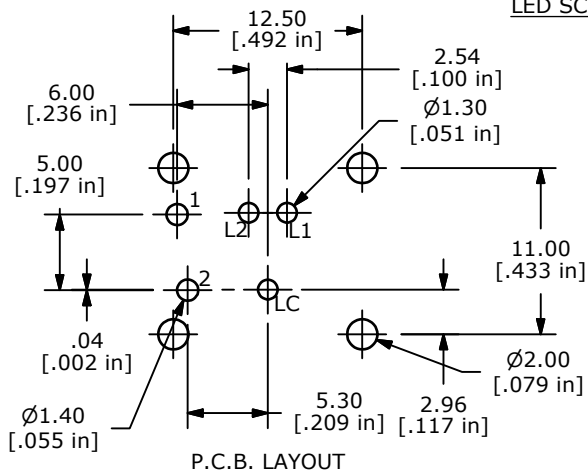
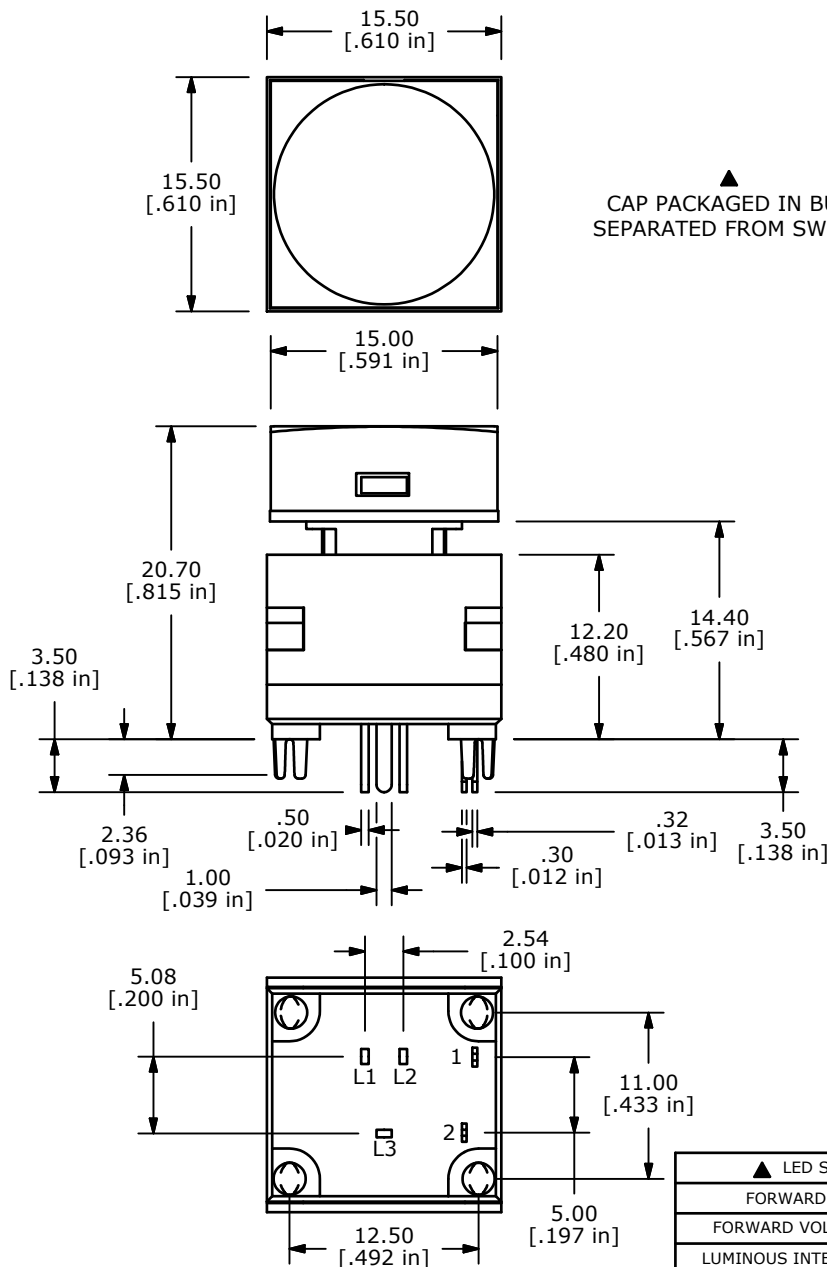


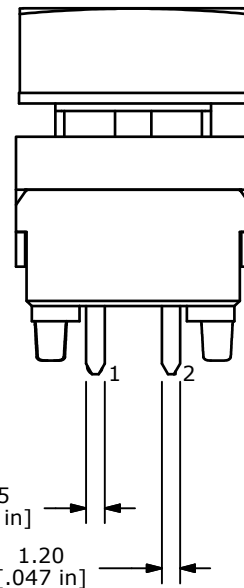
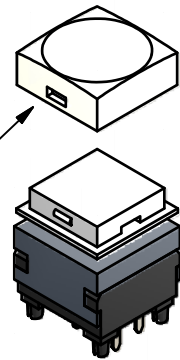
LED SCHEMATIC



- NOTES:
1. ALL DIMENSIONS IN MM [INCH]
 2. GENERAL TOLERANCE: X.X=± 0.4
X.XX=± 0.25
 3. TERM. NOS. FOR REFERENCE ONLY.
 4. RATING: 12VDC, 12mA; SPST
 5. CONTACT MATERIAL: GOLD
 6. CONTACT RESISTANCE: 50 MILLI-OHM MAX.
 7. INSULATION RESISTANCE: 500VDC, 100 MEGA-OHM MIN.
 - ▲8. OPERATING FORCE: 150± 100GF
 9. OPERATING LIFE: 200,000 CYCLES
 10. OPERATING TEMP: -20°C TO +70°C
 - ▲11. LED COLORS: RED, GREEN
 12. TRAVEL: 2.20mm±0.20
 13. 2002/95/EC (ROHS) COMPLIANT
 14. ▲ DENOTES CRITICAL PARAMETER.



▲ CAP PACKAGED IN BULK SEPARATED FROM SWITCH



▲ LED SPECS	UNITS	RED	GREEN
FORWARD CURRENT	mA	25	25
FORWARD VOLTAGE @20mA	VDC	1.95	2.0
LUMINOUS INTENSITY @ 10mA	mcd	77	412



A	20099	New Release	8/16/11	BGL
REV	PCR NO	DESCRIPTION	DATE	BY

THE INFORMATION CONTAINED IN THIS DOCUMENT IS PROPRIETARY TO E-SWITCH AND IS NOT TO BE COPIED OR TRANSFERRED

TITLE LP60A1ASRGCAPBULK				
SCALE	DATE	DR	DWG	REV
2 : 1	8/16/2011	BGL	B220011	A